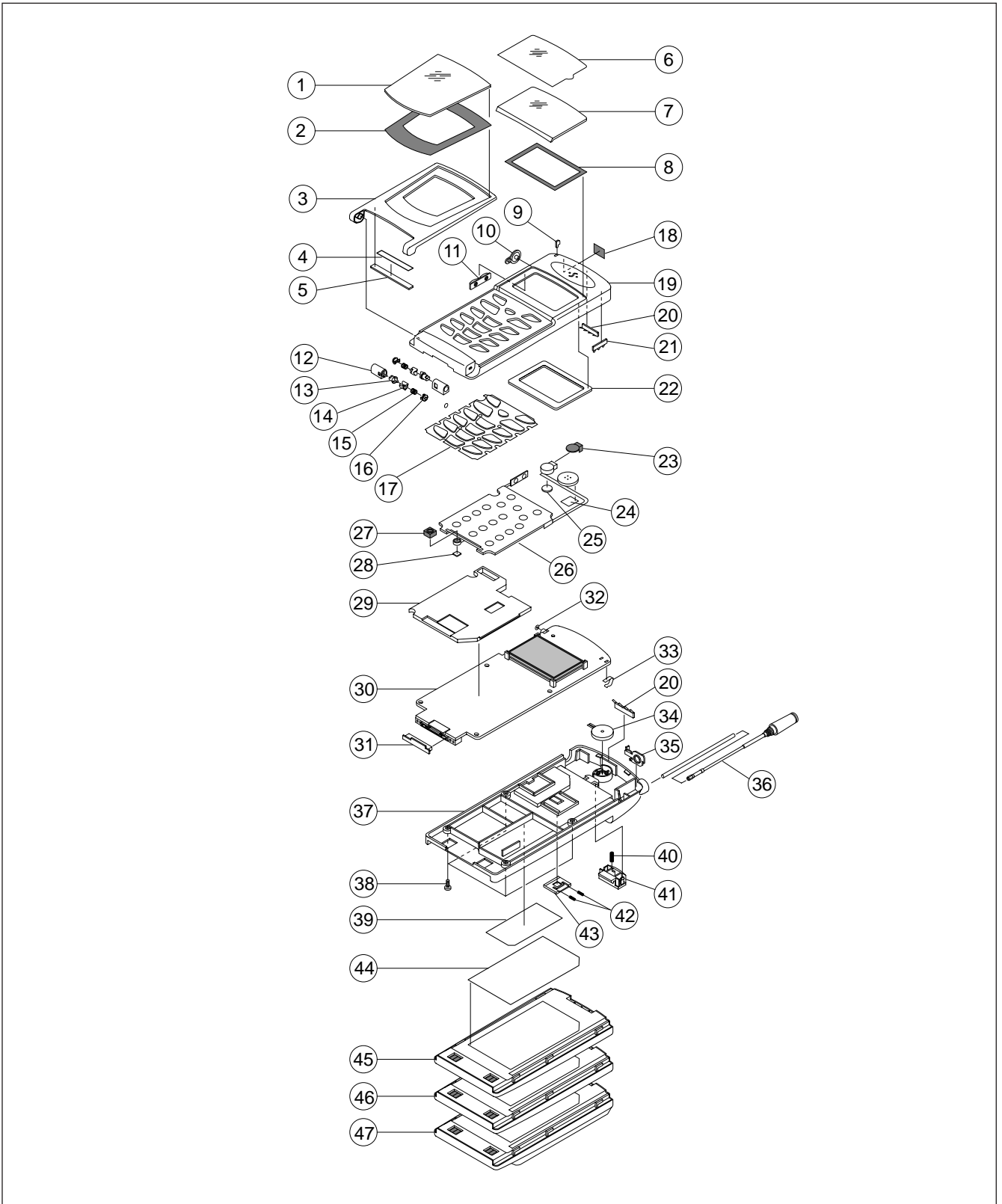




1. Exploded Views and Parts List

1-1 Main

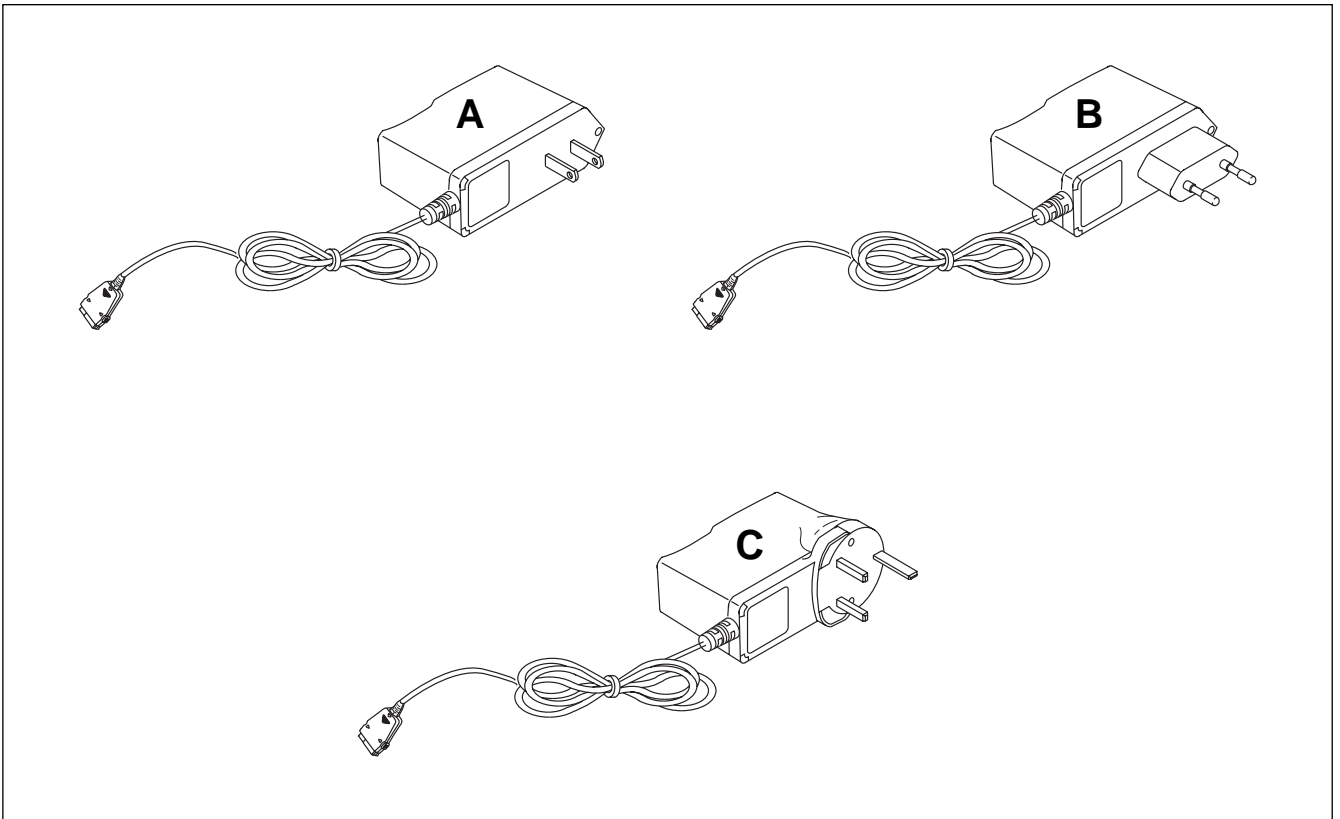


1-2 Main Parts List

NO	DESCRIPTION	SEC.CODE	Q'TY	REMARK
1	HALF-MIRROR	GH72-00274A	1	
2	TAPE-H/DUMMY	GH74-00197A	1	
3	H/FLIP	GH72-00381A	1	
4	MARGNETIC	937-312008AA	1	
5	LABEL-FLIP	GH68-11192A	1	
6	TAPE WINDOE BOHO	GH72-10001A	1	
7	WINDOW LCD	GH72-00139A	1	
8	TAPE-WINDOW	GH74-40520A	1	
9	REFLETOR LED	GH72-41576A	1	
10	COVER EAR-JACK	GH73-40726A	1	
11	KEY VOLUMN	GH73-40724A	1	
12	HINGE-HOUSING	GH72-41360A	2	
13	SHAFT-HINGE	GH72-41057A	2	
14	HINGE-CAM	GH61-80002A	2	
15	SPRING-HINGE	GH70-10680A	2	
16	HOUSING-CAP	GH72-41056A	2	
17	KEY MAIN	GH72-41756A	1	
18	CLOTH-BUZZER	GH63-20001A	1	
19	FRONT-COVER	GH72-41742A	1	
20	SHIELD STRIP(C)	GH71-10641A	2	
21	SHIELD STRIP(B)	GH71-10640A	1	
22	SPONGE-LCD	GH74-40521A	1	
23	RUBBER-BUZZER	GH73-40723A	1	
24	SUPPORT SPK	GH74-00131A		
25	BACKUP TAPE	GH74-40518A	1	
26	KEY PCB	GH59-00025A	1	
27	HOLDER MIC	GH73-40641A	1	
28	SPK SPONGE	GH74-10604A	1	
29	SHIELD-FRAME	GH72-41753A	1	
30	MAIN PCB	GH92-00740A	1	
31	COVER CONNECTOR	GH73-40686A	1	
32	JACK-COVER	GH73-10514A	1	
33	ANTENNA CON.	GH71-00020A	1	
34	VIBRATOR	GH31-10004A	1	
35	ANTENNA BRK	GH71-00021A	1	
36	ANT	GH42-00012A	1	
37	REAR-COVER	GH72-417423A	1	
38	SCREW-MACHINE	6001-001046	4	

NO	DESCRIPTION	SEC.CODE	Q'TY	REMARK
39	LABEL MAIN	GH68-00352A	1	
40	SPRING-LOCKER	GH70-10516A	1	
41	LOCKER-MAIN	GH72-41373A	1	
42	SPRING-SIM	GH70-00006A	2	
43	COVER-SIM	GH72-00088A	1	
45	BATTERY SLIM	GH43-00029A		
46	BATTERY STD	GH43-00027A		
47	BATTERY LONG	GH43-00028A		

1-3 Travel Adaptor

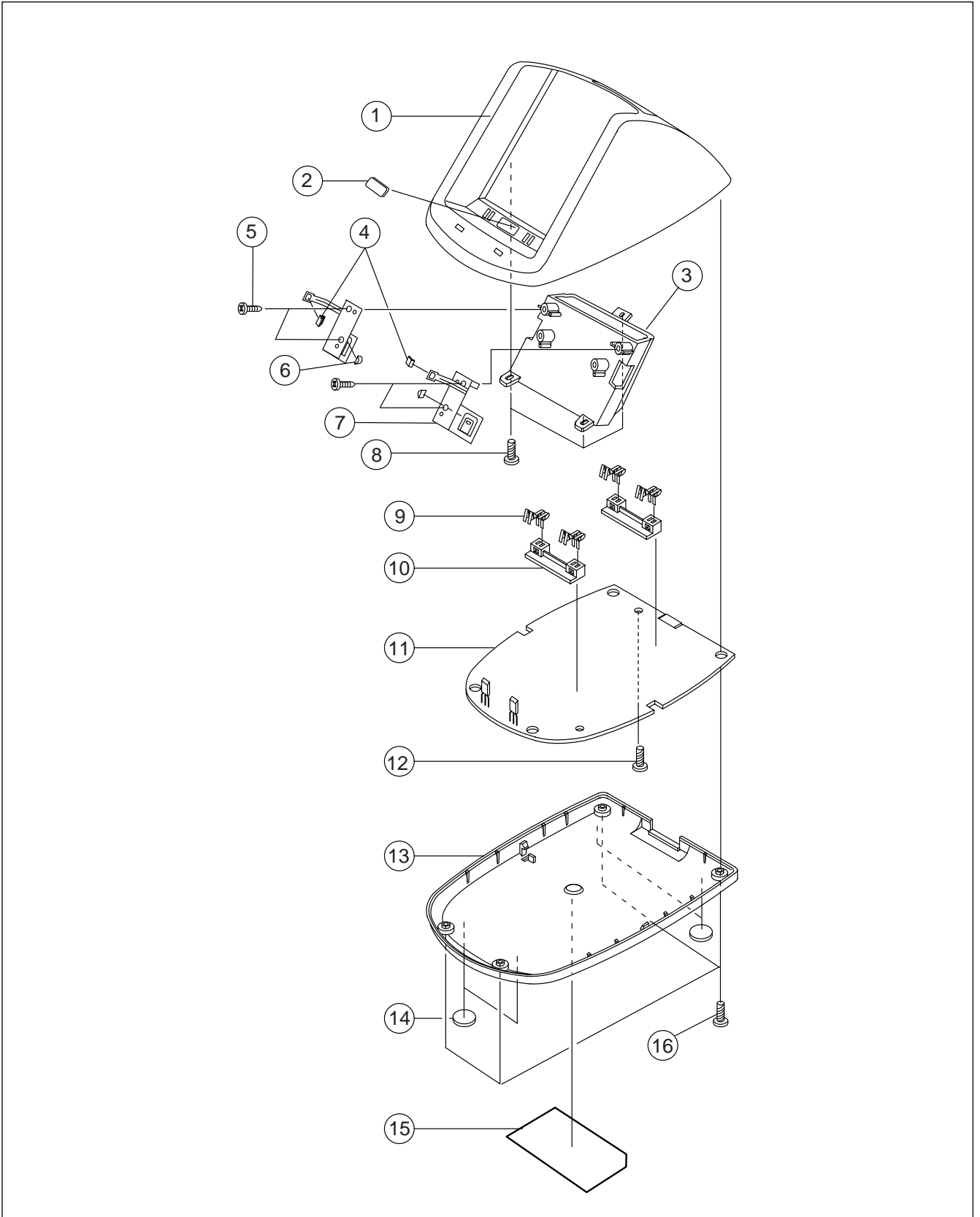


1-4 Travel Adaptor Parts List

TYPE	SEC CODE	REMARK
A	GH96-01143A	CHINA
B	GH96-01146A	EUROPE
C	GH96-01095A	UNITED KINGDOM

1-5 Desk Top Charger

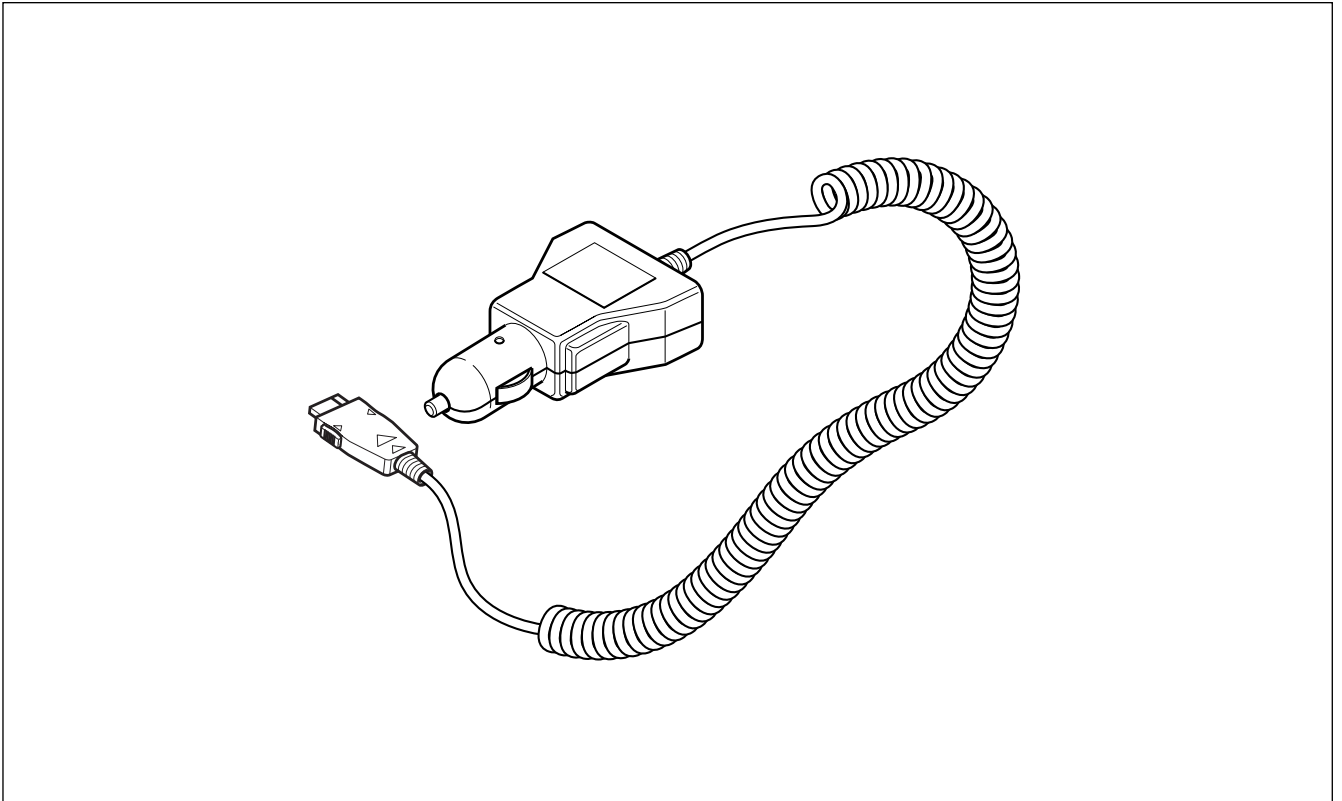
SEC CODE : GH44-00046A



1-6 Desk Top Charger Parts List

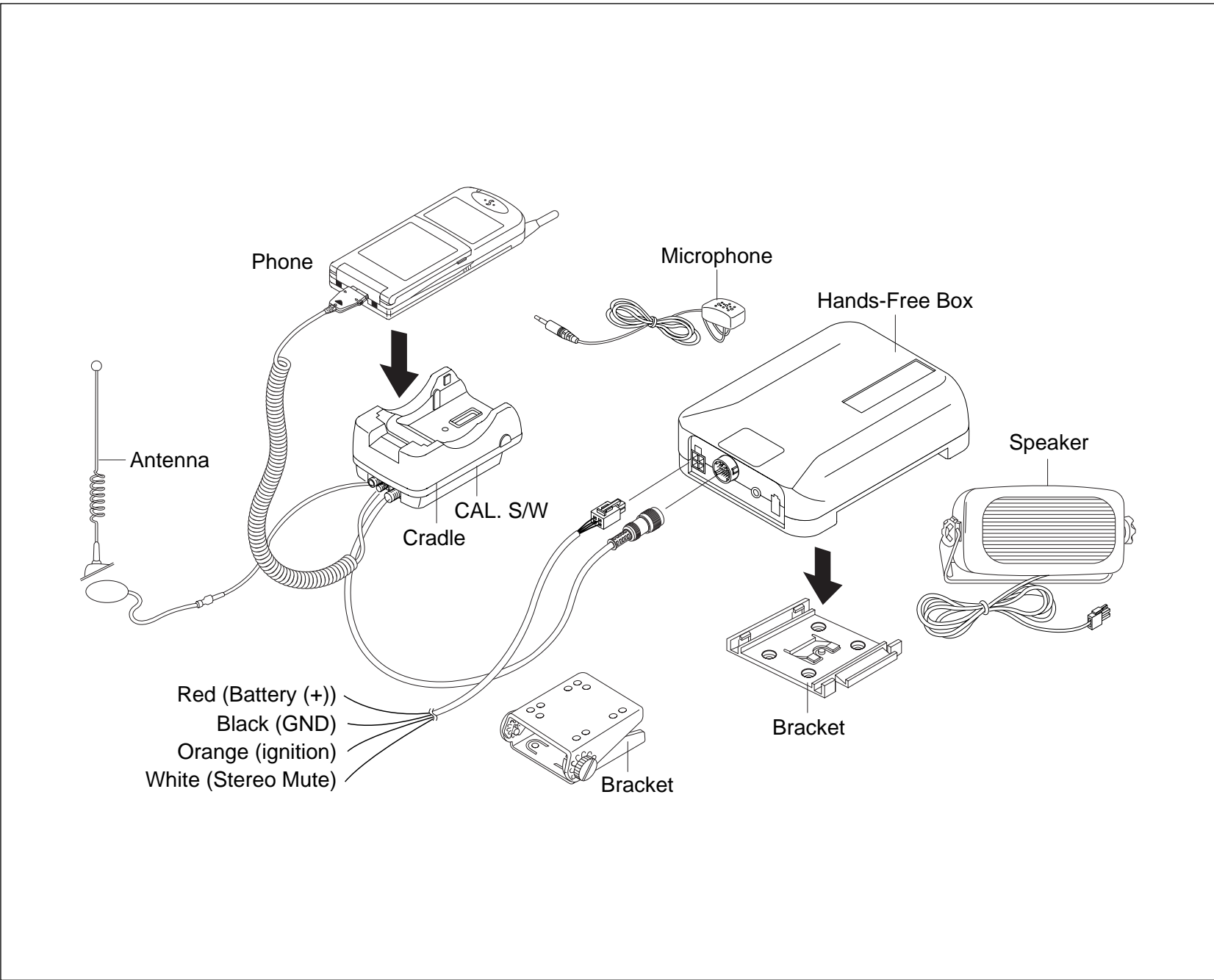
NO	DESCRIPTION	SEC.CODE	Q'TY	REMARK
1	UPPER-CASE		1	
2	GATE-LABEL		1	
3	BATTERY-HOUSING		1	
4	HANDY-LOCKER		2	
5	SCREW-TAPPING		4	
6	BATTERY-LOCKER		2	
7	HANGER-SPRING(R), (L)		1, 1	
8	SCREW-TAPPING		3	
9	CONTACT-PLATE		8	
10	CONTACT-HOUSING		2	
11	PCB		1	
12	SCREW-TAPPING		1	
13	LOWER-CASE		1	
14	FOOT-RUBBER		4	
15	LABEL NAME		1	
16	SCREW-TAPPING		4	

1-7 Ciger Light Adaptor

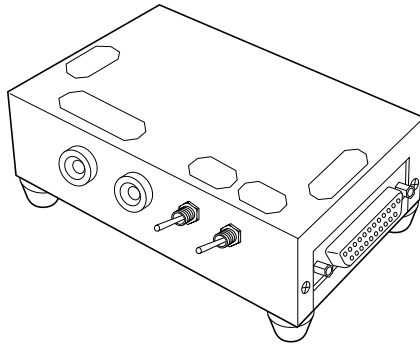


1-8 Ciger Light Adaptor Parts List

DESCRIPTION	SEC CODE	REMARK
Ciger Light Adaptor Code	GH44-00040A	BLACK

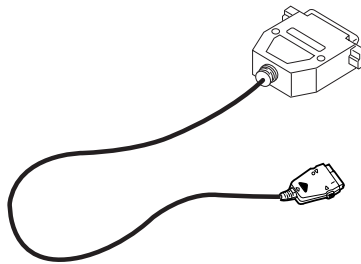


1-10 Test Zig



TEST JIG

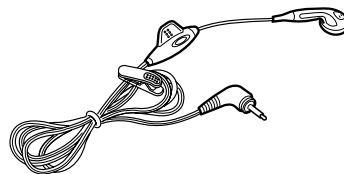
GH80-10508A



DATA CABLE

GH39-30532A

1-11 Earphone



EARPHONE

GH96-00820A